



Description: Modular recessed LED system with direct emission, consisting of an extruded aluminum profile, which can be used both individually and in a continuous row to create cuts of light without interruptions.

Body: 6060 T5 alloy aluminum profile, painted in “dry” white color with thermosetting epoxy powders at 180 ° C, after degreasing, phosphating and washing treatment. Other colors according to the RAL range are available on request. Supplied without heads and installation accessories (to be ordered separately).

Optical group: PST optic with satin opal polycarbonate diffuser, with a smooth finish, ideal for uniform distribution. Optics snap fastened to the luminaire body without the use of tools. Glow-wire test 850 ° C.
Protection degree IP42.

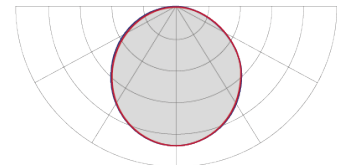
Wiring: power supply 220-240V 50 / 60Hz with rigid cable, sect. 0.50 mm² and PVC-HT sheath resistant to 90 ° C according to CEI 20-20 standards. Terminal block with maximum allowed cable section 2.5 mm². Insulation class I. Suitable for installation on normally flammable surfaces.

- LED version with electronic driver with fixed output (ON / OFF), included.
 - DALI LED version with standard DALI digital dimmable electronic driver, included.
- Versions with emergency kit (1/3 hours of autonomy) are available on request.

Luminous source: High efficiency LEDs arranged on rigid modules, color rendering CRI> 80 (CRI> 90 available on request), color temperature 3000K and 4000K (selected LED diode 3 MacAdam ellipses in order to guarantee uniform chromaticity).
LED TUNABLE WHITE 2700-6500K versions available on request.
Life of the sources in normal conditions: over 50,000 hours L80 / B10 at Ta = 25 ° C.



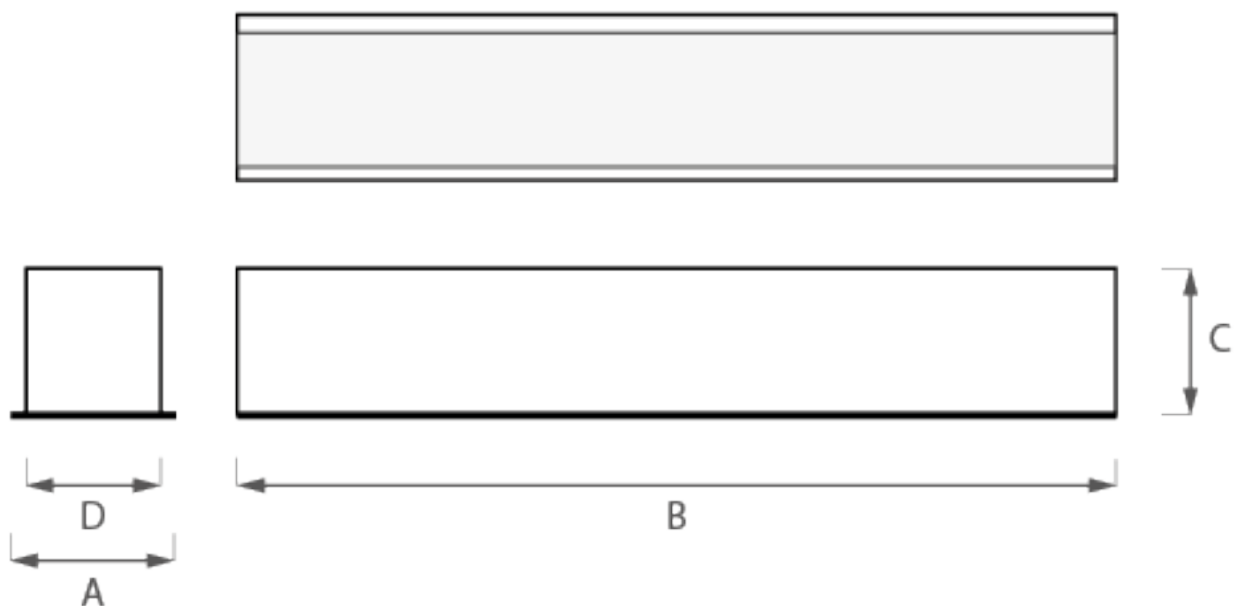
Demonstration image



Photometric curve

Regulations: appliance complies with the following standards:

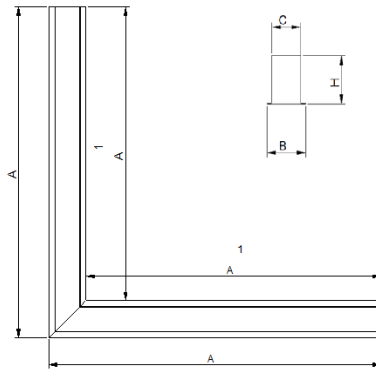
- | | | |
|-----------------|-------------------|---------------------------|
| • EN 61547 | • IEC/TR 62471-2 | • EN 60598-2-2 |
| • EN 55015 | • EN 60061-1 | • EN 62471 (risk class 0) |
| • EN 61000-3-2 | • EN 62031 | • EN 62560 |
| • EN 61000-3-3 | • EN 62493 | • EN 60968 |
| • EN 61347-1 | • EN 60598-1 | • CEI 76-10 |
| • EN 61347-2-13 | • EN 60598-2-1 | • EN 60529 |





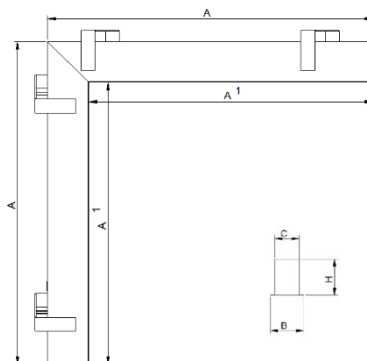
Linear modules

Power [W]	Color temperature [K]	CRI	Effective flux [lm] *	Efficiency [lm/W]	Energetic class	Dimensions [mm]					Code / Wiring	
						A*	B	C	H	Recessed ****	LED	LED (DALI)
13	3000	>80	1105	85	A++	561	106	86	95	561x92	760300213	760300214
13	4000	>80	1183	91	A++	561	106	86	95	561x92	760300217	760300218
26	3000	>80	2210	85	A++	1121	106	86	95	1121x92	760300229	760300230
26	4000	>80	2366	91	A++	1121	106	86	95	1121x92	760300233	760300234
39	3000	>80	3315	85	A++	1681	106	86	95	1681x92	760300245	760300246
39	4000	>80	3549	91	A++	1681	106	86	95	1681x92	760300249	760300250
52	3000	>80	4420	85	A++	2241	106	86	95	2241x92	760300261	760300262
52	4000	>80	4732	91	A++	2241	106	86	95	2241x92	760300265	760300266
65	3000	>80	5525	85	A++	2801	106	86	95	2801x92	760300277	760300278
65	4000	>80	5915	91	A++	2801	106	86	95	2801x92	760300281	760300282



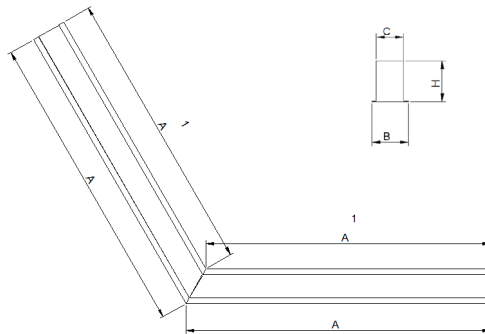
Ceiling corner modules (90°)

Power [W]	Color temperature [K]	CRI	Effective flux [lm] *	Efficiency [lm/W]	Energetic class	Dimensions [mm]						Code / Wiring	
						A*	A1*	B	C	H	Recessed ****	LED	LED DALI
26	3000	>80	2210	85	A++	630	523	106	86	95	622X534x92	760300315	760300317
26	4000	>80	2366	91	A++	630	523	106	86	95	622X534x92	760300316	760300286



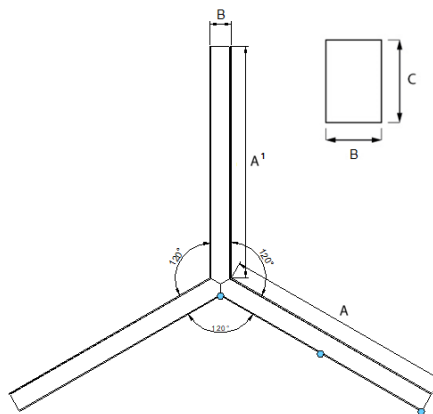
Wall / ceiling corner modules (90°)

Power [W]	Color temperature [K]	CRI	Effective flux [lm] *	Efficiency [lm/W]	Energetic class	Dimensions [mm]						Code / Wiring	
						A*	A1*	B	C	H	Recessed****	LED	LED DALI
26	3000	>80	2210	85	A++	650	555	106	86	95	650X650X92	760300359	760300361
26	4000	>80	2366	91	A++	650	555	106	86	95	650X650X92	760300360	760300362



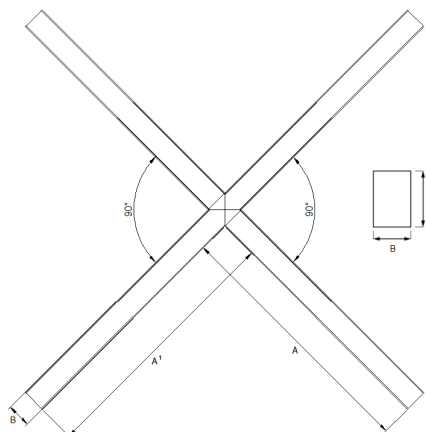
Corner modules (120°)

Power [W]	Color temperature [K]	CRI	Effective flux [lm] *	Efficiency [lm/W]	Energetic class	Dimensions [mm]					Code / Wiring		
						A*	A1*	B	C	H	Incasso****	LED	LED DALI
26	3000	>80	2210	85	A++	600	539	106	86	95	597X545X92	760300363	760300365
26	4000	>80	2366	91	A++	600	539	106	86	95	597X545X92	760300364	760300366



Y Geometry

Power [W]	Color temperature [K]	CRI	Effective flux [lm] *	Efficiency [lm/W]	Energetic class	Dimensions [mm]					Code / Wiring	
						A*	B	C	H	Recessed****	LED	LED DALI
39	3000	>80	3315	85	A++	540	106	86	95	547X92	760300375	760300377
39	4000	>80	3549	91	A++	540	106	86	95	547X92	760300376	760300378





X Geometry

Power [W]	Color temperature [K]	CRI	Effective flux [lm] *	Efficiency [lm/W]	Energetic class	Dimensions [mm]					Code / Wiring	
						A*	B	C	H	Recessed****	LED	LED DALI
52	3000	>80	4420	85	A++	515	106	86	95	525X55	760300379	760300381
52	4000	>80	4732	91	A++	515	106	86	95	525X55	760300380	760300382

* Dimensions excluding the heads (3mm thick each) at the beginning and end of the row.

** Actual flow may have a tolerance of ± 10%

*** The product is supplied as standard without end caps, to be ordered separately.

INSTALLATION ACCESSORIES



COD. TC760204

End caps in aluminum painted in DRY WHITE color.
2-piece kit.



COD. KFS760200

Union bracket for installation in a continuous line, made of galvanized steel.
Fixing screws supplied.